

---

# SERVICE MANUAL



## POWERED SUBWOOFER

### CONTENTS

SPECIFICATION .....	2-3
PARTS LIST:	
LED INDICATORS PCB ASSEMBLY .....	4
SWITCHED MODE PSU CIRCUIT PCB ASSEMBLY .....	4-7
PRE AMP & POWER AMP PCB ASSEMBLY .....	7-12
CASING SMPS ASSEMBLY .....	12-13
SPEAKER ASSEMBLY .....	14-16
PACKING ASSEMBLY .....	17
BLOCK DIAGRAM .....	18
SCHEMATIC DIAGRAMS .....	19-22
PCB LAYOUT .....	23-25
EXPLODED VIEW DIAGRAMS .....	26-30

## SPECIFICATION

### PSW3500 SPEAKER SPECIFICATIONS

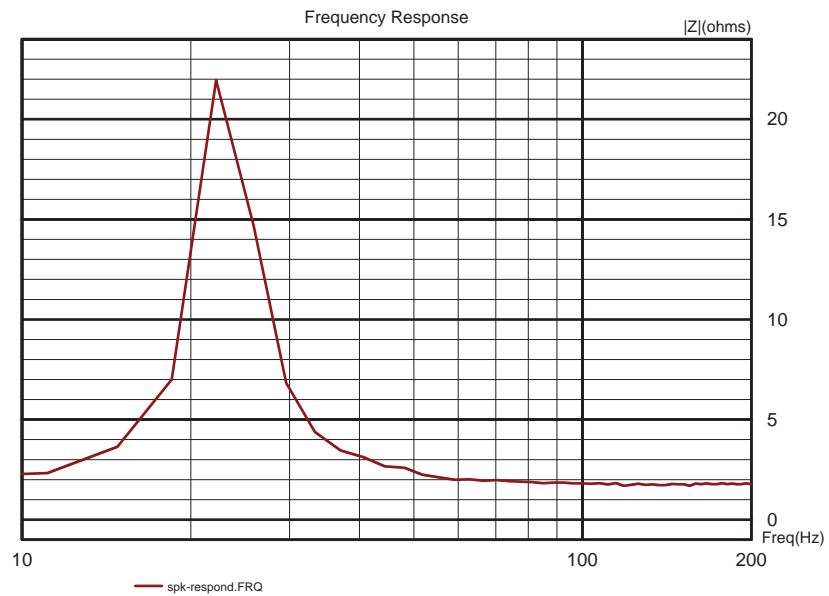
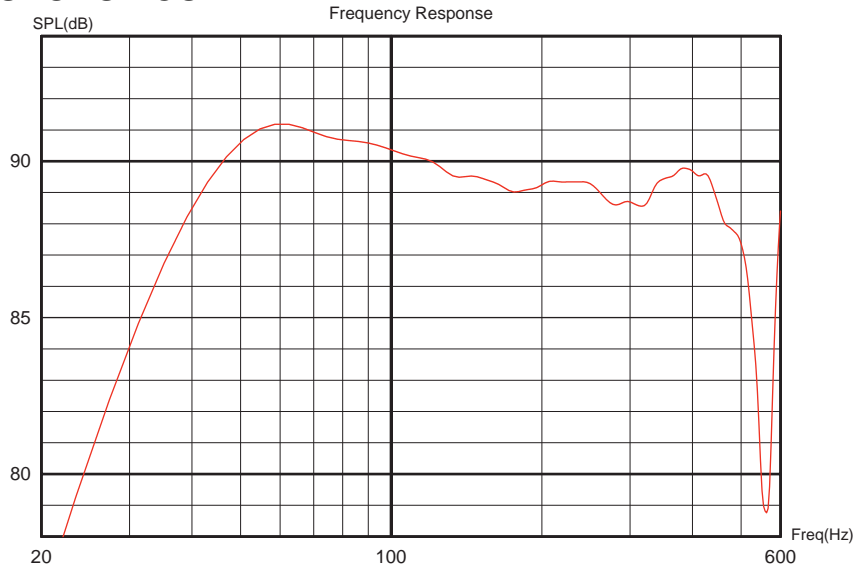
Frequency Response	20 Hz - 500 Hz
Sensitivity	89±2 dB
Power Handling	200~400 W
Weight	8.5Kg
Fo	22±4 Hz
Impedance	4±20% Ohm
Voice Coil DCR	3.9±5% Ohm
Main Magnet	ø145*ø75*17mm
Magnet Material	Y30
Magnetic Shielding	Yes

### PSW3500 SYSTEM SPECIFICATIONS

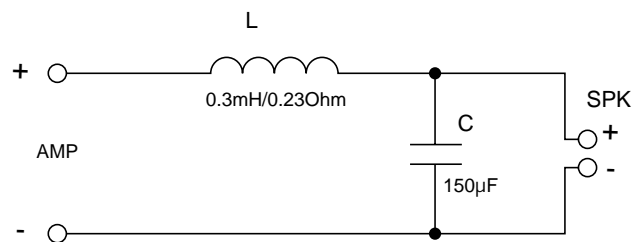
Type	Close box downward firing
LF Drive Unit	300mm(12 ) long-throw
Crossover Frequency L+R variable	40 - 140 Hz
LFE fixed	250Hz
Frequency Range(+/-3)	30Hz - 250Hz
Amplifier	300 Watts
Sensitivity	Active system
Maximum Output(PSL)	110dB
Impedance	N/A Active System
Magnetic Shielding	Yes
Weight	22.5Kg(49.6 lbs)
Dimensions(H*W*D) mm	450*600*395
Cabinet Finish	Black Ash,Maple,Dark,Apple or Silver

# SPECIFICATION

## FREQUENCY RESPONSE CURVE



## FILER FOR SPEAKER



## PARTS LIST

### LED PCB ASSY

QTY	PART NO	DESCRIPTION	LOCATION
1	3700-4536-RG	L-115W EGW/209EGW RED/GR	LED301
1	3700-9528-0	LED DISP LR2x5-10B-YYB	LED302
1	4701-100J-2	RCF 1/8W 10R 5% AT	R330
1	4701-102J-2	RCF 1/8W 1K 5% AT	R320
7	4701-103J-2	RCF 1/8W 10K 5% AT	R311,312,313,314,315,321, 322
2	4701-203J-2	RCF 1/8W 20K 5% AT	R317,318
5	4701-271J-2	RCF 1/8W 270R 5% AT	R301,302,302,304,305
5	4701-331J-2	RCF 1/8W 330R 5% AT	R306,307,308,309,310
2	4701-472J-2	RCF 1/8W 4.7K 5% AT	R316,319
1	4816-043T-3	IR SENSOR PIC-26043TM2	IR301
10	4840-8060-2	DIODE 1N4148 NS	D301,302,303,304,305,306, 307,308,309,310
2	4860-2250-5	TR 9012H MICRO	Q307,310
8	4860-8720-5	TR 9013H	Q301,302,303,304,305,306, 308,309
1	1725-731A-0000	PCB LED FR4 D/S 1OZ	

### SMPS PCB ASSY

QTY	PART NO	DESCRIPTION	LOCATION
8	150F-104M-N-FD	CC 50V 0.1U 20% RLF	C18,19,20,22,28,32,33,34
1	150N-101K-5-MHA	CC 1KV 100PF 10% RL	C7
2	150N-471K-5-MHA	CC 1KV 470PF 10% RL	C9,10
2	150T-152M-5-XO	CC 400V 1500P 20% RL	C3,4
2	150T-471M-5-RO	CC 400V 470P +-20% RL	C35,36
1	153H-102K-5-INA	CM 100V 0.001UF 10% RL	C23
2	153H-103J-5-KNA	CM 100V 0.01UF 5% RL	C25,27
1	153H-222K-5-INA	CM 100V 0.0022U 10%	C26

## PARTS LIST

SMPS PCB ASSY  
CONTINUED

QTY	PART NO	DESCRIPTION	LOCATION
1	153H-472K-5-JNA	CM 100V 0.0047UF 10% RL	C24
2	153Z-334M-5-YUM	CM 275V 0.33UF 20% RL	C1,2
1	157F-107M-5-OW	CE 50V 100uF 20% RL 8x12	C30
1	157F-107M-5-OWK	CE 50V 100uF 20% RL 8x12	C31
1	157F-225M-5-IU	CE 50V 2.2uF 20% RL 5x11	C29
2	157I-108M-5-5\$K	CE 63V 1000uF 20% RL 16X	C11,12
2	157Q-477M-5-S9T	CE 35V 470U 20% 10X20	C8,13
2	157R-567M-5-#\$T	CE 250V 560UF 20% RL 105	C5,6
1	1681-1000-A	UL1007 AWG#20 BLACK	GND
1	1806-2372-0	TT-9972 GATE DRIVER TRAN	T1
1	1806-2380-0	CURRENT TRANSFORMER	T4
1	1806-2437-0	TT-01001 EE-42 POWER	T3
1	1806-2442-0	CHOKE O/P T131-26	L5
1	1806-2444-0	X-TRANSFORMER EI-28	T2
1	1806-3609-0	COMMON MODE EE-35B	L1
1	1806-3707-0	CHOKE COMMON MODE PSW5K	L3
8	1808-0670-0	FERRITE BEAD 26430000101	FB5,6,7,8,9,10,11,12
1	1808-9030-0	ARRESTER 230V DC 5KA M2P	G1
6	1808-9080-0	FERR BEAD 43120203106 1-	FB1 TO FB4, FB13,14
1	2101-1343-0	WAFER 2219S-03-E2 P=7.92	CN1
8	2950-3008-0020	SCREW B-TITE PH M3X 8 MM	D8-D11, Q1-Q4
4	3100-8040-0	MICA T-400 8302 18X12.7M	D8-D11
4	3100-8050-0	MICA T-400 T03P 25X20M T	Q1-Q4
1	3131-5550-0	IC KA3842B SAMSUNG	U3
8	4154-0841-0	INSULATION BUSHING	D8-D11, Q1-Q4
5	4705-102J-2	RCF 1/4W 1K 5% AT	R6,9,29,36,37
2	4705-103J-2	RCF 1/4W 10K 5% AT	R24,26
2	4705-152J-2	RCF 1/4W 1.5K 5% AT	R31,32
1	4705-204J-2	RCF 1/4W 200K 5% AT	R23

## PARTS LIST

### SMPS PCB ASSY CONTINUED

QTY	PART NO	DESCRIPTION	LOCATION
1	4705-220J-2	RCF 1/4W 22R 5% AT	R18
1	4705-241J-2	RCF 1/4W 240R 5% AT	R19
1	4705-471J-2	RCF 1/4W 470R 5% AT	R21
1	4705-821J-2	RCF 1/4W 820R 5% AT	R22
2	4707-104J-2	RCF 1/2W 100K 5% AT	R2,3
1	4707-474J-2	RCF 1/2W 470K 5% AT	R1
1	4715-203A-1	RMF 1/4W 20K 1% AL	R28
1	4715-243A-2	RMF 1/4W 24K 1% AT	R30
3	4715-472A-1	RMF 1/4W 4.7K 1% AL	R11,20,33
4	4715-51R1-2	RMF 1/4W 51.1R 1% AT	R4,5,7,8
1	4719-101J-C-X	RMF 2W 100R 5% ATS METAL	R10
2	4719-470J-C-X	RMF 2W 47R 5% ATS METAL	R13,14
1	4756-1026-3-07	SVR B1K H3 VZ067TL7B	TP1
4	4837-18V6-2	DZ 1/2W 18V TEMIC AT	Z1,2,3,4
1	4837-30V6-2	DZ 1/2W 30V 5% TEMIC AT	Z5
5	4840-0010-2	DIODE 1N4001	D13,14,15,16,17
5	4840-8060-2	DIODE 1N4148 NS	D19,20,21,22,23
1	4840-8240-0	DIODE BR108 BRIDGE RECTI	D1
4	4840-8520-2	RECTIFIER UF4003 GI AT	D4,5,12,18
2	4840-8530-2	RECTIFIER UF4006 GI AT	D2,3
4	4840-8860-1	DIODE 600V 15A T0220	D8,9,10,11
2	4853-9040-5	TR 2N3904	Q6,7
1	4860-2400-5	TR 2N3906 MICRO	Q5
4	4860-8950-0	TR FET IRF840 (IR)	Q1,2,3,4
1	5202-0001-0	NTC THERMISTER SCK057	NTC1
8	5400-9320-0	2617-4-B HEAT SINK	Q1-Q4, D8-D11
1	7010-0150-0	CN ASSY UL1007 #20 L=120	JPW1
1	7010-0160-0	CN ASSY UL1007 #20 L=120	JPW2
1	7010-2352-0	WIRE CON ASSY 4P+2P+2P	CN2

## PARTS LIST

### SMPS PCB ASSY CONTINUED

QTY	PART NO	DESCRIPTION	LOCATION
1	7010-2355-0	WIRE CON ASSY 4P L=500MM	CN3
1	1725-542A-0003	SMPS PCB 94V0 REV: G	

### PRE AMP & POWER AMP PCB ASSY

QTY	PART NO	DESCRIPTION	LOCATION
1	150D-224K-J-BD	CC 16V 0.22UF 10% 0805	C18
7	150D-334K-J-BD	CC 16V 0.33UF 10% 0805	C39,40,41,42,191,192,193
4	150E-823K-J-BD	CC 25V 0.082UF 10% 0805	C3,4,5,6
19	150F-101J-J-BD	CC 50V 100pF 5% 0805 1.2	C7,8,9,10,13,14,15,20,31, 46,100,101,128,218,221, 222,630,631,633,
1	150F-102K-J-BD	CC 50V 1000pF 10% 0805 1	C217
15	150F-104K-J-BD	CC 50V 0.1uF 10% 0805	C11,12,51,110,112,503,603, 604,605,606,608,609,610, 901,902
1	150F-154K-J-BD	CC 50V 0.15UF 10% 0805	C34
1	150F-223K-J-BD	CC 50V 0.022U 10% 0805	C36
2	150F-333K-J-BD	CC 50V 0.033U 10% 0805	C129,194
1	150F-334K-J-BD	CC 50V 0.33UF 10% 0805	C190
3	150F-470J-J-BD	CC 50V 47pF 5% 0805 1.2x	C281,330,331
1	150F-471J-J-BD	CC 50V 470pF 5% 0805 1.2	C502
2	150F-681K-J-BD	CC 50V 680pF 10% 0805 1.	C235,236
7	150F-683K-J-BDS	CC 50V 0.068UF 10% X7R	C19,32,33,37,38,44,45
2	150F-822K-P-AC	CC 50V 8200P 10% 0603	C21,22
7	153H-104K-5-PS	CM 100V 0.1UF 10% RL	C203,204,207,208,262, 263,267
1	153I-224K-9-NOA	CM 63V 0.22UF 10% RB	C239
4	157D-476M-H-IU	CE 16V 47U 20% RLR 5x11	C113,266,613,614
2	157E-477M-5-SXE	CE 25V 470UF 20% RL	C260,261

## PARTS LIST

### PRE AMP & POWER AMP PCB ASSY CONTINUED

QTY	PART NO	DESCRIPTION	LOCATION
1	157F-105M-5-IU	CE 50V 1uF 20% RL 5x11	C632
2	157F-106M-K-IUI	CE 50V 10UF 20% RLT 5X11	C16,106
7	157F-107M-K-OW	CE 50V 100U 20% RLT 8X12	C111,240,264,265,269, 501,504
7	157F-225M-K-IUI	CE 50V 2.2U 20% RLT	C1,2,25,109,234,280,601
1	157F-226M-5-IU	CE 50V 22UF 20% RL 5X11	C634
1	157F-474M-5-IU	CE 50V 0.47uF 20% RL	C242
2	157F-476M-5-OWK	CE 50V 47uF 20% RL 8x12	C205,206
2	157F-476M-K-LUI	CE 50V 47UF 20% RLT	C219,241
2	157I-107M-K-SX	CE 63V 100U 20% RLT 10x1	C237,238
1	157Q-476M-5-LUA	CE 35V 47U 20% RL 6.5X11	C49
7	1681-0000-A	UL1007 AWG#18 BLACK	C1-C2,C903,D1-D2,E1-E2
2	1681-3020-A	UL1007 AWG#24 RED	F1-F2
4	1681-4000-A	UL1007 AWG#26 BLACK	A1-A2,B1-B2
1	1806-2374-0	TT-9974 TOROIDAL CHOKE T	L301
1	1806-2393-0	TT-9904 LE 1012A 1X12TX6	L201
1	2101-1380-0	HEADER 4P P=5MM VERTICAL	CN201
1	2101-9120-0	JM24182-2P WAFER	CN206
1	2101-9130-0	JM24182-4P WAFER	CN202
1	2101-9320-0	WAFER JM24182-11P	CN301
1	2101-9790-0	4RCA JACK HSP-204V-03 GP	RCA1
1	2113-1997-0	JACK 3.5MM	RI
4	2601-2608-0601	FIBRE WASHER M2.6 0.8T	Q202,204,U205,U206
1	2703-0150-1	CR4.00MHE,CSTLS4M00G55-B	XTAL201
4	2954-2606-0000	SCREWS BT 2.6X6	Q202,204,U205,U206
4	2954-3008-3000	T3X8MM SELF TAPPING	Q202,204,U205,U206
2	3130-2020-2	IC 7805 REG 5V	U207,505
1	3130-2520-2	IC 7812H 12V REG, T0220F	U205
1	3130-3550-0	IC TA7317P	U208



**PARTS LIST**
**PRE AMP & POWER AMP PCB ASSY  
 CONTINUED**

<b>QTY</b>	<b>PART NO</b>	<b>DESCRIPTION</b>	<b>LOCATION</b>
1	3130-3800-0	IC UPC79M12HF REGULATOR	U206
17	3130-8020-0	IC TL072 DUAL J-FET	U1,2,3,5,6,7,8,9,10,11,12, 16,204,303,304,501,502
1	3131-6160-0	IC 7809 1A 3PIN POSITIVE	U208
1	3131-6940-0	IC LM393M (SMD)	U506
1	3131-7640-1	IC KS86P4208 SM SAMSUNG	U301
1	3131-7740-0	EEPROM AT24C02-10PI	U302
2	3132-1421-0	IC DS1844-100 SMD	U13,14
1	3132-2671-0	IC PT2259S SMD SO-8	U503
1	3700-1530-R	LED SC 3.1X3.8 L0.4RD	LED501
4	4132-1551-0	TERMINAL OUT PUT	GND1,2,3,SPK
1	4500-0500-0	RELAY DPDT 5V 40mA	RL301
1	4500-8090-1	RELAY RUUH-SH-124D 15A	PLY1
2	4701-101J-2	RCF 1/8W 100R 5% AT	R110,111
1	4705-122J-2	RCF 1/4W 1.2K 5% AT	R660
1	4711-122A-2	RMF 1/8W 1.2K 1% AT	TP402
1	4711-183A-2	RMF 1/8W 18K 1% AT	TP402
4	4718-100J-C-X	RMF 1W 10R 5% ATS METAL	R234,235,241,242
1	4718-392C-L	RMF 1W 3.9K 2% AF	R904
1	4719-222J-1-X	RMF 2W 2.2K 5% AL METAL	R255
6	4720-101J-J	RMG 1/10W 100R 5% 0805	R236,237,238,251,256,260
7	4720-102J-J	RMG 1/10W 1K 5% 0805	R104,105,226,511,603, 622,625
32	4720-103J-J	RMG 1/10W 10K 5% 0805	R2,4,5,6,7,8,9,10,11,12,24, 57,61,223,224,245,253, 501, 502,503,504,505,507,508, 509,530,531,601,604,607, 626,629
14	4720-104J-J	RMG 1/10W 100K 5% 0805	R60,63,65,69,71,74,83,86, 88,243,246,605,628,902
1	4720-105J-J	RMG 1/10W 1M 5% 0805	R606

## PARTS LIST

### PRE AMP & POWER AMP PCB ASSY CONTINUED

QTY	PART NO	DESCRIPTION	LOCATION
2	4720-122J-J	RMG 1/10W 1.2K 5% 0805	R612,901
5	4720-123J-J	RMG 1/10W 12K 5% 0805	R67,77,79,109,233
1	4720-124J-J	RMG 1/10W 120K 5% 0805	R107
2	4720-125J-J	RMG 1/10W 1.2M 5% 0805	R621,624
5	4720-153J-J	RMG 1/10W 15K 5% 0805	R56,64,78,229,230
1	4720-154J-J	RMG 1/10W 150K 5% 0805	R101
2	4720-155J-J	RMG 1/10W 1.5M 5% 0805	R330,510
4	4720-163J-J	RMG 1/10W 16K 5% 0805	R73,82,87,130
2	4720-182J-J	RMG 1/10W 1.8K 5% 0805	R402,406
3	4720-183J-J	RMG 1/10W 18K 5% 0805	R248,250
1	4720-202J-J	RMG 1/10W 2K 5% 0805	R225
5	4720-203J-J	RMG 1/10W 20K 5% 0805	R1,3,403,405,506
3	4720-222J-J	RMG 1/10W 2.2K 5% 0805	R19,20,514
7	4720-223J-J	RMG 1/10W 22K 5% 0805	R13,14,15,16,55,81,108
2	4720-243J-J	RMG 1/10W 24K 5% 0805	R76,80
1	4720-272J-J	RMG 1/10W 2.7K 5% 0805	R232
2	4720-303J-J	RMG 1/10W 30K 5% 0805	R17,18
1	4720-331J-J	RMG 1/10W 330R 5% 0805	R512
1	4720-332J-J	RMG 1/10W 3.3K 5% 0805	R21
5	4720-333J-J	RMG 1/10W 33K 5% 0805	R249,252,280,620,623
2	4720-334J-J	RMG 1/10W 330K 5% 0805	R22,222
1	4720-364J-J	RMG 1/10W 360K 5% 0805	R102
2	4720-391J-J	RMG 1/10W 390R 5% 0805	R228,231
5	4720-392J-J	RMG 1/10W 3.9K 5% 0805	R23,400,401,404,407
2	4720-472J-J	RMG 1/10W 4.7K 5% 0805	R288,602
2	4720-473J-J	RMG 1/10W 47K 5% 0805	R90,91
1	4720-474J-J	RMG 1/10W 470K 5% 0805	R513
1	4720-513J-J	RMG 1/10W 51K 5% 0805	R106
6	4720-562J-J	RMG 1/10W 5.6K 5% 0805	R126,239,240,263,627,903

## PARTS LIST

### PRE AMP & POWER AMP PCB ASSY CONTINUED

QTY	PART NO	DESCRIPTION	LOCATION
3	4720-563J-J	RMG 1/10W 56K 5% 0805	R244,247,254
2	4720-682J-J	RMG 1/10W 6.8K 5% 0805	R85,227
3	4720-752J-J	RMG 1/10W 7.5K 5% 0805	R58,70,84
1	4720-753J-J	RMG 1/10W 75K 5% 0805	R103
1	4720-822J-J	RMG 1/10W 8.2K 5% 0805	R75
1	4720-913J-J	RMG 1/10W 91K 5% 0805	R100
4	474B-0R1J-1	RWR 5W 0.1 5% AL	R118,119,122,123
1	4756-1036-3-15	SVR B1OK H3 VZ067TL7B	TP501
2	4804-0010-2	DIODE 1N4001 AT	D211,222
23	4804-1480-3	DIODE LL4148 SM	D1,2,3,4,5,6,7,8,201,202, 206,220,221,302,501,502, 503,504,601,602,603, 604,605
1	4813-2SR3-1	OPTOCOUPLER	U504
1	4837-2V76-2	DZ 1/2W 2.7V TEMIC AT	Z501
1	485D-1390-5	TR BD139-10 HFE63-160	Q204
1	4860-1430-5	TR BD140-10 HFE 63-160	Q202
1	4860-2250-5	TR 9012H MICRO	Q602
1	4860-2280-5	TR TIP42C SGS	Q206
2	4860-8470-0	TR TIP 41C SGS	Q205,221
4	4860-8720-5	TR 9013H	Q220,230,601,604
1	4860-8890-0	TR MPS A06 VCE 80V NS	Q203
1	4860-8910-0	TR MPS A56 VCE 80V NS	Q212
1	490S-N100-K	FET N-CHANNEL C-MOS	Q1
5	5200-3281-0-06	SW COMAX	SW1,2,3,4,202
1	5200-4801-0	SW TACT X2 KPT-2105B	SW201
4	5400-9130-0	HEAT SINK FOR 7805 2438-	Q202,204,U205,U206
1	7010-2221-0	3 PIN SHIELD WIRE ASSY	CN1
1	7010-2222-0	3 PIN FLAT CABLE ASSY	CN2
2	8910-0115-0	CE 4700UF 63V 20% RL	C201,202

## PARTS LIST

### PRE AMP & POWER AMP PCB ASSY CONTINUED

QTY	PART NO	DESCRIPTION	LOCATION
1	8910-0196-0	THERMISTOR NTH4G 10K 1%	TH1
	1725-730A-0001	PCB POWER-AMP FR4 D/S1OZ	

### CASING SMPS ASSY

QTY	PART NO	DESCRIPTION	LOCATION
	1403-6680-0	SWITCH POWER TOP COVER	TOP COVER
	1403-6690-0	SWITCH POWER BOTTOM	BOTTOM COVER
	1660-0870-0	SHRINKAGE TUBE ID=4MM UL	IEC1
	1660-0870-0	SHRINKAGE TUBE ID=4MM UL	SW1
	1660-0890-0	SHRINKAGE TUBE ID=1MM UL	L8
	1681-0020-A	UL1007 AWG#18 RED	U14
	1806-2375-0	TT-9975 EARTH TOROIDAL C	L7
	2113-9535-0	HALO BUSHING 0813C	BOTTOM COVER
	2600-3005-0803	METAL WASHER M3X0.5X8MM	FAN1
	2600-3005-0803	METAL WASHER M3X0.5X8MM	PCB
	2600-3005-0803	METAL WASHER M3X0.5X8MM	TOP COVER
	2606-4008-0853	INT TOOTH WASHER M4X0.8X	L7
	2606-4008-0853	INT TOOTH WASHER M4X0.8X	RING T'NAL
	2607-3009-0553	SPRING WASHER M3X0.9X5.5	FAN1
	2607-3009-0553	SPRING WASHER M3X0.9X5.5	IEC1
	2607-3009-0553	SPRING WASHER M3X0.9X5.5	L8
	2607-3009-0553	SPRING WASHER M3X0.9X5.5	PCB
	2607-3009-0553	SPRING WASHER M3X0.9X5.5	TOP COVER
	2607-4010-0704	SPRING WASHER M4X1X7MM N	L7
	2607-4010-0704	SPRING WASHER M4X1X7MM N	RING T'NAL
	2640-3022-0544	M3 NUT NI	IEC1
	2640-3022-0544	M3 NUT NI	L8

## PARTS LIST

### CASING SMPS ASSY CONTINUED

QTY	PART NO	DESCRIPTION	LOCATION
	2640-4030-0704	NUT HEX M4	CN3
	2640-4030-0704	NUT HEX M4	L7
	2900-3008-3000	SCREW M3x8 PM BZ	PCB
	2900-3008-3000	SCREW M3x8 PM BZ	SW2
	2900-3008-3000	SCREW M3x8 PM BZ	TOP COVER
	2900-3010-3000	SCREW PH M3X 10 MM BZ CR	FAN
	2900-3010-3000	SCREW PH M3X 10 MM BZ CR	IEC1
	2900-3010-3000	SCREW PH M3X 10 MM BZ CR	L8
	2944-3008-3000	S-TITE 3X8 (BLK)	TOP COVER
	4135-1701-0	TERMINAL RING COPPER TIN	CN2 CN3
	4153-3331-0	EVA GASKET 5*500	HEATSINK
	4153-3331-0	EVA GASKET 5*500	TOP COVER
	4153-3800-1	POWER INLET SOCKET	IEC1
	4154-3661-0	PROOF GASKET	SW1
	5120-9001-0	CERAMIC 5X20MM FUSE 250V	F1
	5200-3570-0	SW CB-SL1412 AM1BCEI AC	SW2
	5200-9123-1	SW ROCKER 1P1T	SW1
	6360-0011-0	PLASTIC CABLE TIE 97MM	CN1
	6360-0011-0	PLASTIC CABLE TIE 97MM	CN2 CN3
	6360-0011-0	PLASTIC CABLE TIE 97MM	SW2
	6360-0011-0	PLASTIC CABLE TIE 97MM	T4
	6360-1322-0	PLASTIC CABLE TIE 200MM	L3
	7010-2353-0	WIRE CON ASSY 3P L=120MM	CN1
	7011-6720-0	UL1007 #18 500MM W/FUSE	RING T'NAL
	8900-9520-0	DC FAN CHA8012BS	FAN1
	9500-0460-0	MASKING TAPE HI-TEMP 1/2	TOP COVER

## PARTS LIST

### SPEAKER ASSY

QTY	PART NO	DESCRIPTION	LOCATION
	8900-6400-0	DRIVER FOR PSW3500	
	1660-0740-0	SHRINKAGE TUBE ID=2	
	2901-5009-0000	SCREW M5*9	
	2940-3006-0000	S/T SCREW 03X6(YEL)	
	3000-6992-0	LABEL FOR POSITIVE MARK	
	3000-7692-0	PSW3500 SPEAKER LABEL	
	3300-0461-0	BACK CAN 166*160*65*2	
	3300-3501-0	CP 135*49.7*44*11	
	3300-6770-0	WH 145*54.4*8.6M5 105.3	
	3300-9690-0	CHASSIS FOR PSW3500 SUB	
	3800-5530-0	VC 50.95EISV	
	4104-4871-1	MAGNET 145*75*17 (C)	
	4124-0070-0	TERMINAL 0.5*205	
	4159-0780-0	POLE TIP FOR PSW3500 12"	
	4159-0810-0	SHORT RING 55*74*33.5	
	4200-5160-0	DCAP D117*21.5 PP COATED	
	4200-9021-0	SURROUND/CONE FOR	
	7010-4520-0	F.WIRE 24WW	
	8700-1960-0	DPR 175*50.8*4.0 D0.7	
	9500-4300-0	SOLDER WIRE FOR ALUMINUM	
	9500-5010-0	GLUE TOLUOL HS-10+PP	
	9500-5160-0	GLUE 501AB Y480AB	
	9500-5200-0	GLUE 765H(CS-700)	
	9500-5300-0	GLUE AD95 LOCTITE 403	
	9501-2970-0	HD525-1	
	9501-2971-0	HD325HTB	
	9501-2973-0	HD-812-1AB	
	DUM-1419-0260-0	DUMMY 1419-0260-0	
	4154-3171-0	ABS MOULDING FOR PSW3500	

## PARTS LIST

### SPAEKER ASSY CONTINUED

QTY	PART NO	DESCRIPTION	LOCATION
	OTHER-FCCH0C-EU	OTHER PARTS FOR PSW3500	
	1419-0260-0	CABINET FOR PSW3500 BK	
	1419-0260-1	CABINET FOR PSW3500 BK	
	1725-331A-0000	PCB FOR Q1/CODA CENTRE	
	1806-2710-0	IRON CORE 3.0MH 0.23OHM	
	2640-4030-0704	NUT HEX M4	
	2908-4020-4400	M4*20 NICKEL SCREW	
	2910-3012-3000	K320291B M3*12MM PAN HEA	
	2913-4016-3000	SCREW TRUSS HEAD M4*16	
	3000-6333-0	BARCODE S/N LABEL	
	3000-6628-0	VOLTAGE LABEL FOR	
	3000-6628-1	VOLTAGE LABEL FOR	
	3000-7783-0	UPC LABEL FOR PSW3500	
	3000-8902-0	MADE IN CHINA LABEL	
	3005-0360-1	RIBBON 60MMX300M	
	3005-0360-2	RIBBON 60MMX600M TEC	
	4149-9411-0	RUBBER SPACER ID5*OD20*4	
	4153-3331-0	EVA GASKET 5*500	
	4154-2351-1	LENS DISPLAY FOR PSW3000	
	4154-3221-0	RUBBER FOOT FOR PSW3500	
	4301-5242-0	MANUAL FOR CI SERIES	
	4301-5280-0	INSTALLATION MANUAL FOR	
	4301-6037-0	W.CARD FOR KEF (1 YEAR)	
	4301-6037-1	W.CARD FOR KEF (1 YEAR)	
	6360-1451-0	CABLE TIE 200MM*4.5MM	
	7012-1450-0	#18AWG TWIN BLUE&BLUE/	
	7012-1700-0	SPK WIRE 700#205*4	
	8910-0329-0	CE 50V 150UF 5% D16*34	
	9500-0270-0	HOT MELT GLUE	

## PARTS LIST

### SPAEKER ASSY CONTINUED

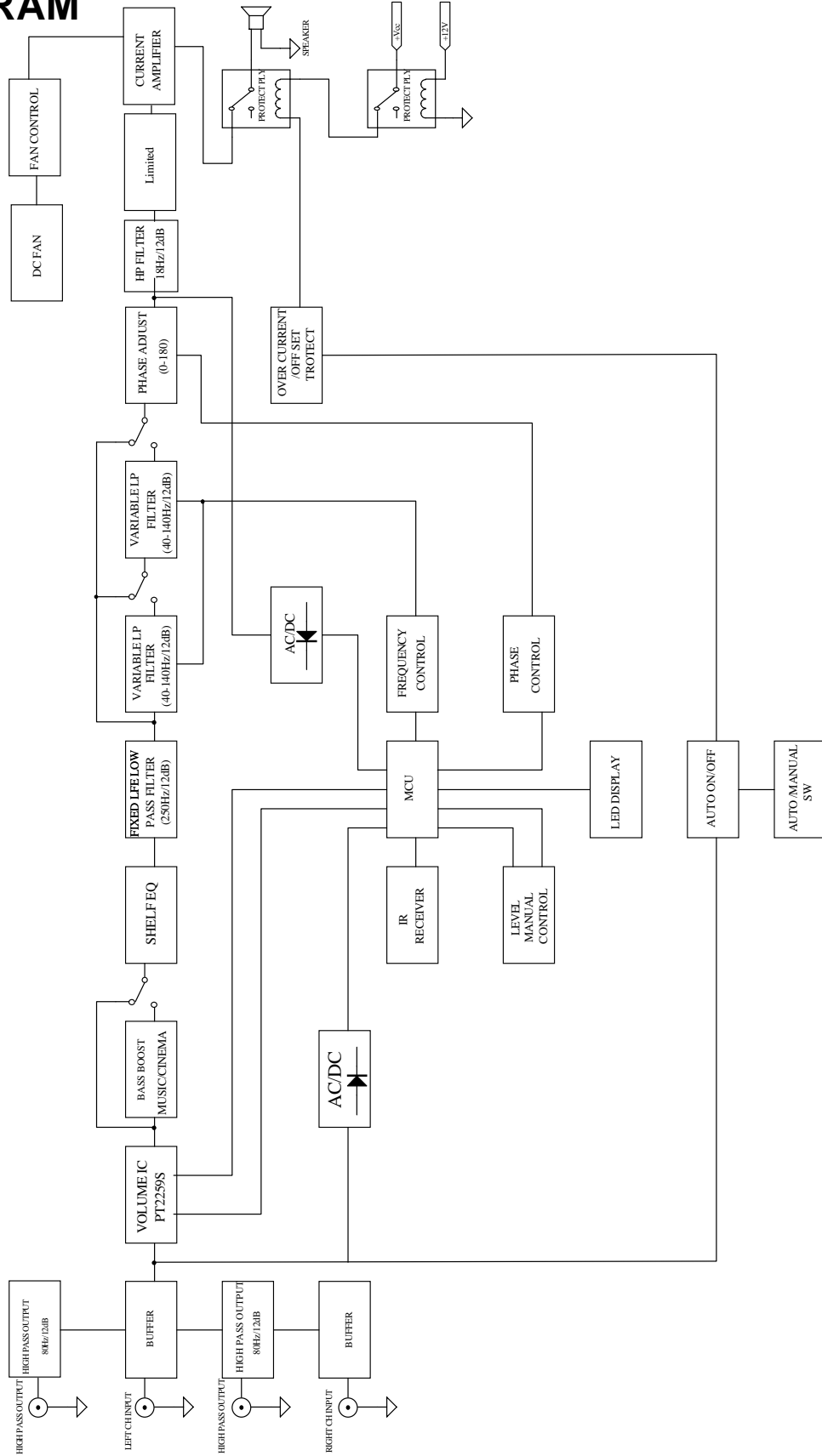
QTY	PART NO	DESCRIPTION	LOCATION
	DUM-1806-2710-0	DUMMY 1806-2710-0	
	1403-5700-0	P-CORE	
	1403-5710-0	END CHEEK FOR CORE	
	FCEJ0C	ATTENUATOR FOR PSW	
	1660-0740-0	SHRINKAGE TUBE ID=2	
	1660-0870-0	SHRINKAGE TUBE ID=4MM UL	
	4124-0100-0	TERMINAL BLOCK FOR CI50	
	4124-0290-0	RCA PLUG FOR PSW SERIES	
	4124-0340-0	RCA PLUG FOR PSW (RED)	
	4301-5299-0	PSW ATTENUATOR MANUAL	
	4705-102J-2	RCF 1/4W 1K 5% AT	
	4705-243J-2	RCF 1/4W 24K 5% AT	
	7012-1640-0	#20 AWG RED 35MM	
	1681-1020-A	UL1007 AWG#20 RED	
	7012-1650-0	#20 AWG BLACK 35MM	
	1681-1000-A	UL1007 AWG#20 BLACK	
	9500-0540-0	SOLDER WIRE D=1.02MM	
	9500-1020-0	S.W 0.8mm 63/37 50/245	
	4060-0530-0	GREENCELL 3A SIZE GP24G2	
	7011-6220-0	H05VV-F 0.75MM/3C 2M BLK	



**PARTS LIST****PACKING ASSY**

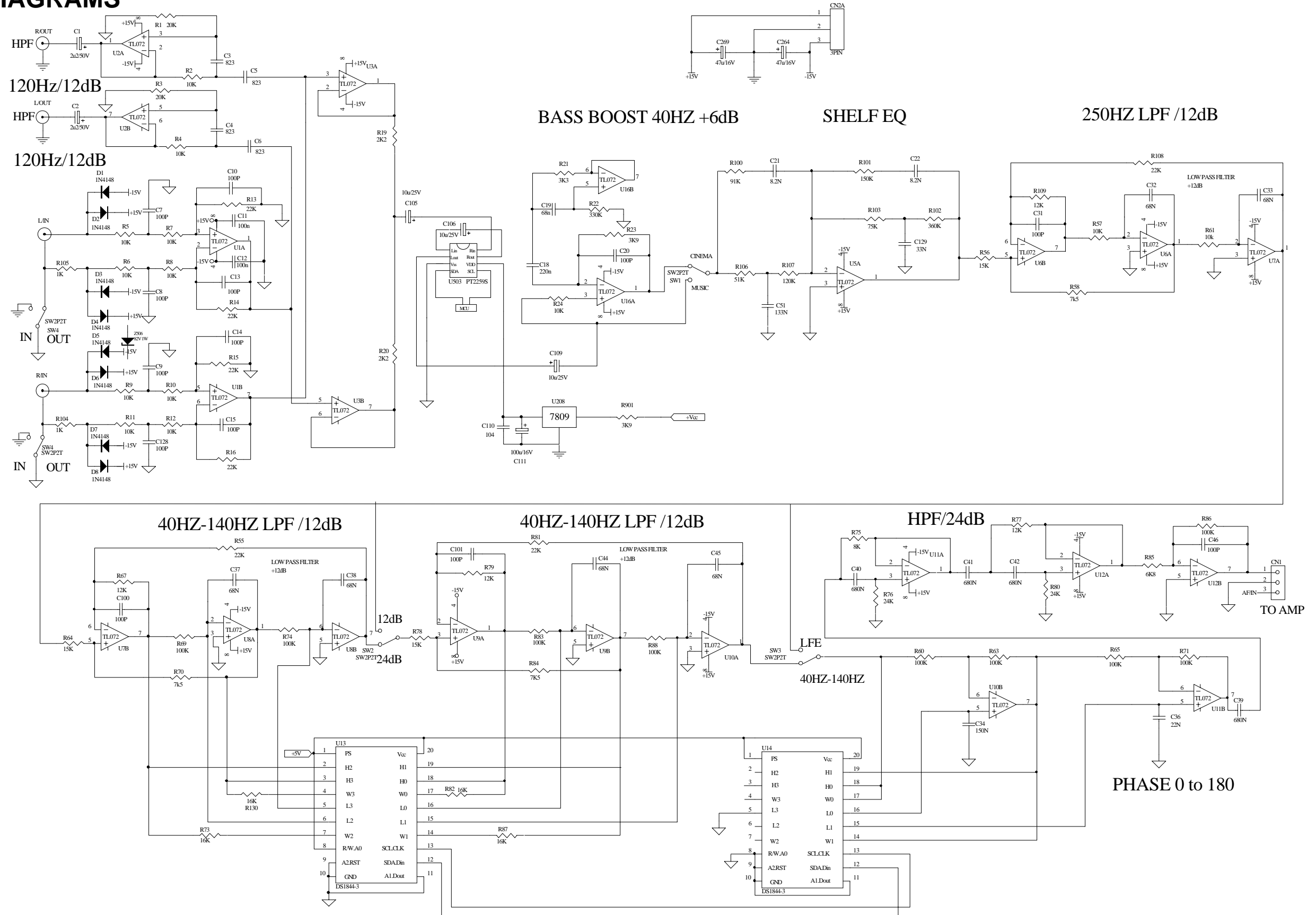
<b>QTY</b>	<b>PART NO</b>	<b>DESCRIPTION</b>	<b>LOCATION</b>
	8912-0047-0	IR REMOTE CONTROL	
	8912-0048-1	IR EXTENSION MODULE	
	145B-1650-0	CARTON BOX FOR PSW3500	
	145B-1660-0	C.PAD A FOR PSW3500	
	145B-1670-0	C.PAD B FOR PSW3500	
	1490-8513-0	PE FOAM FOR PSW3500	
	1497-1932-0	POLYBAG 04x5x9" w/PE-LD	
	1497-4012-0	P.BAG 2.5'*3'*0.03	
	1497-4102-0	P.BAG 10'*12' W/ES GREEN	
	1497-4122-0	P.BAG 10'*14' W/ES GREEN	
	1497-7202-0	PE BAG 840X700X0.05	
	3000-6617-0	LABEL FOR S8/PSW1000MKII	
	4149-0221-0	ACOUSTIC FOAM A FOR	
	4149-0231-0	ACOUSTIC FOAM B FOR	

**BLOCK DIAGRAM**



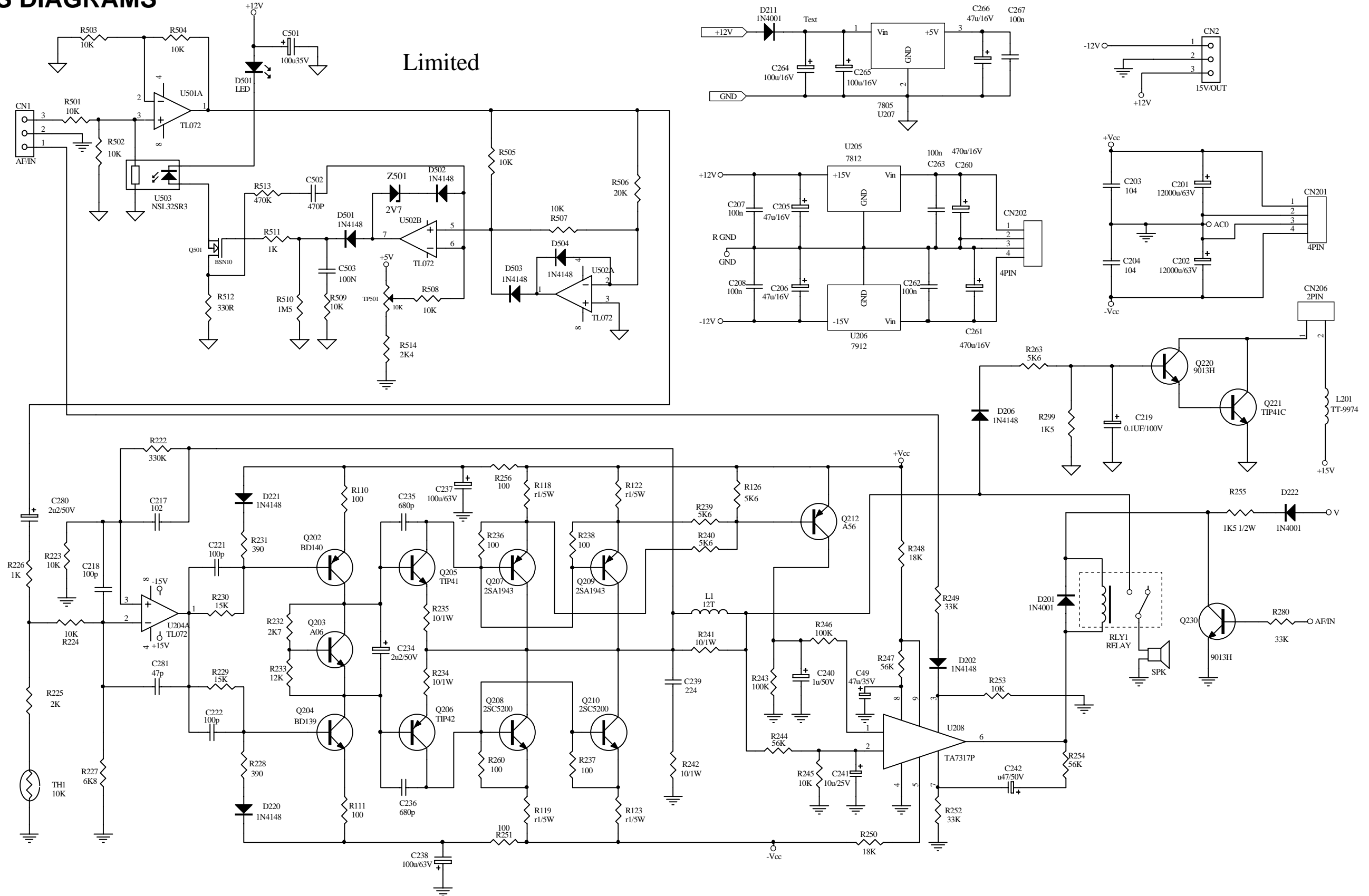
# SCHEMATICS DIAGRAMS

## Pre Amp



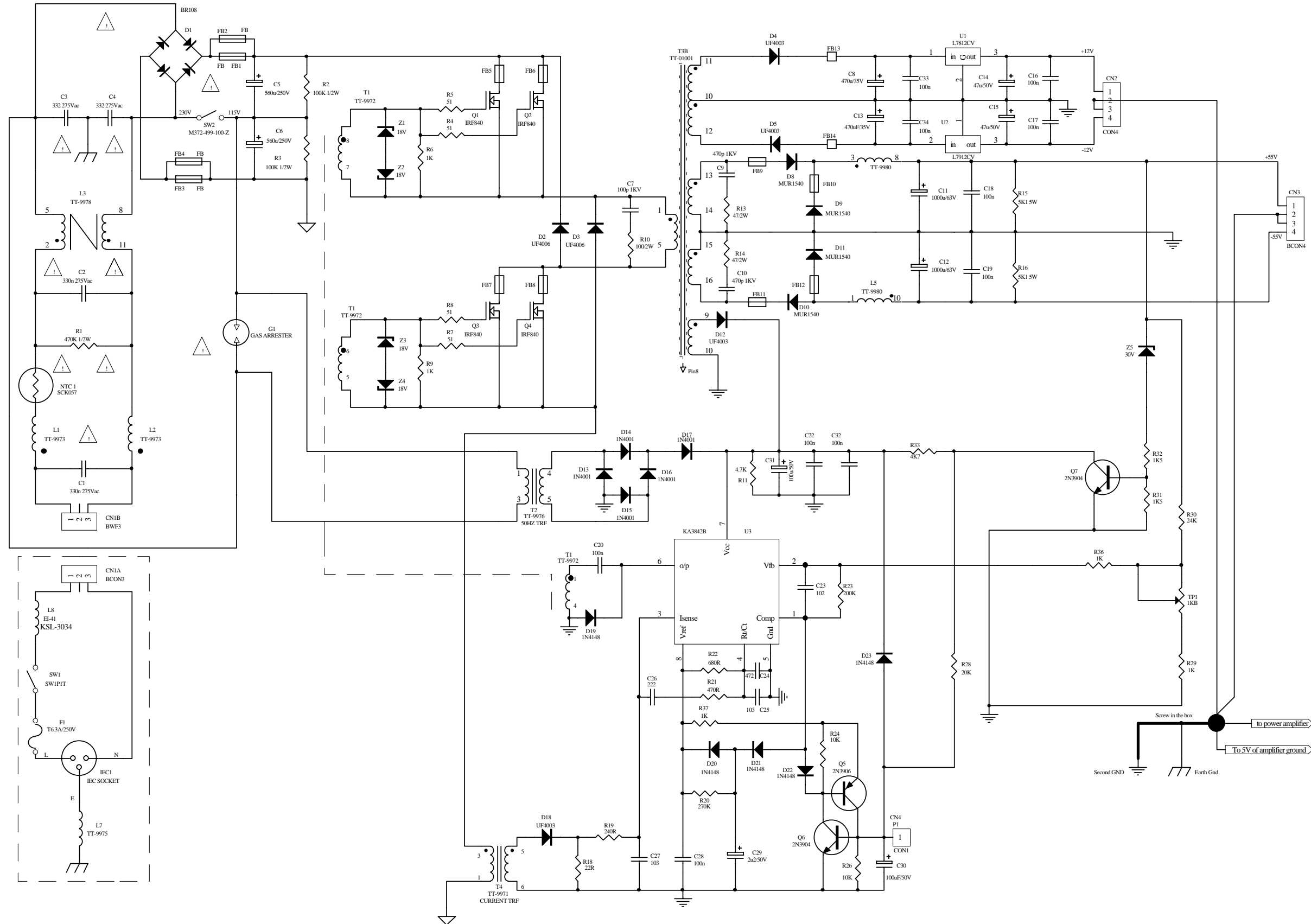
SCHMATICS DIAGRAMS

Power Amp



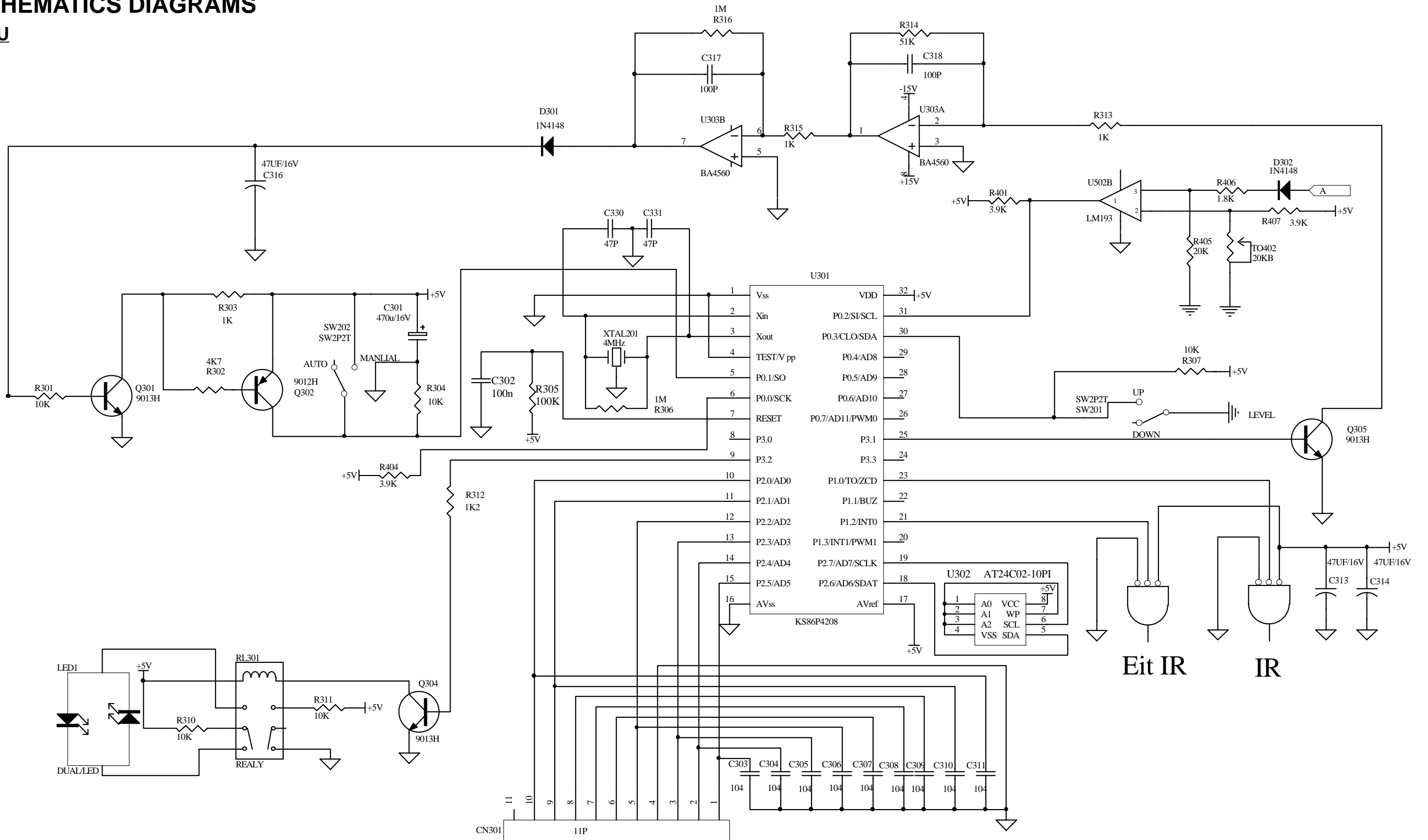
SCHMATICS DIAGRAMS

SMPS



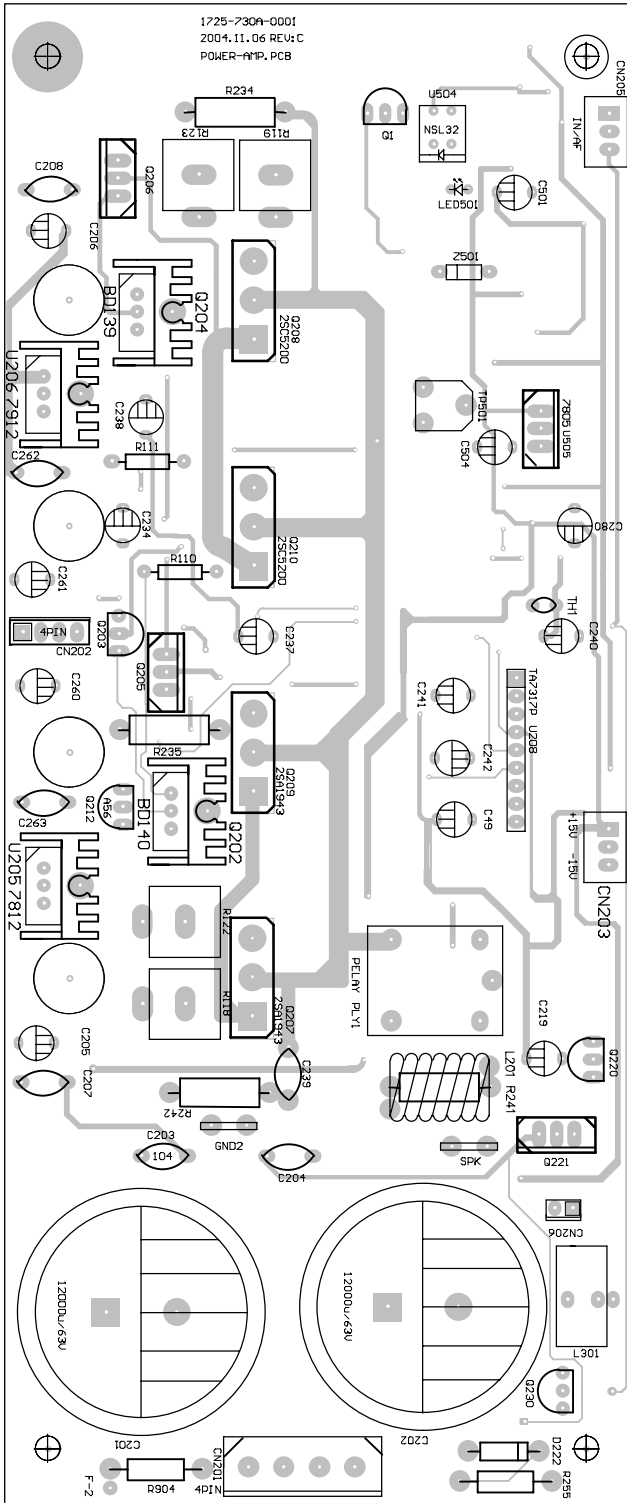
# SCHEMATICS DIAGRAMS

## MCU

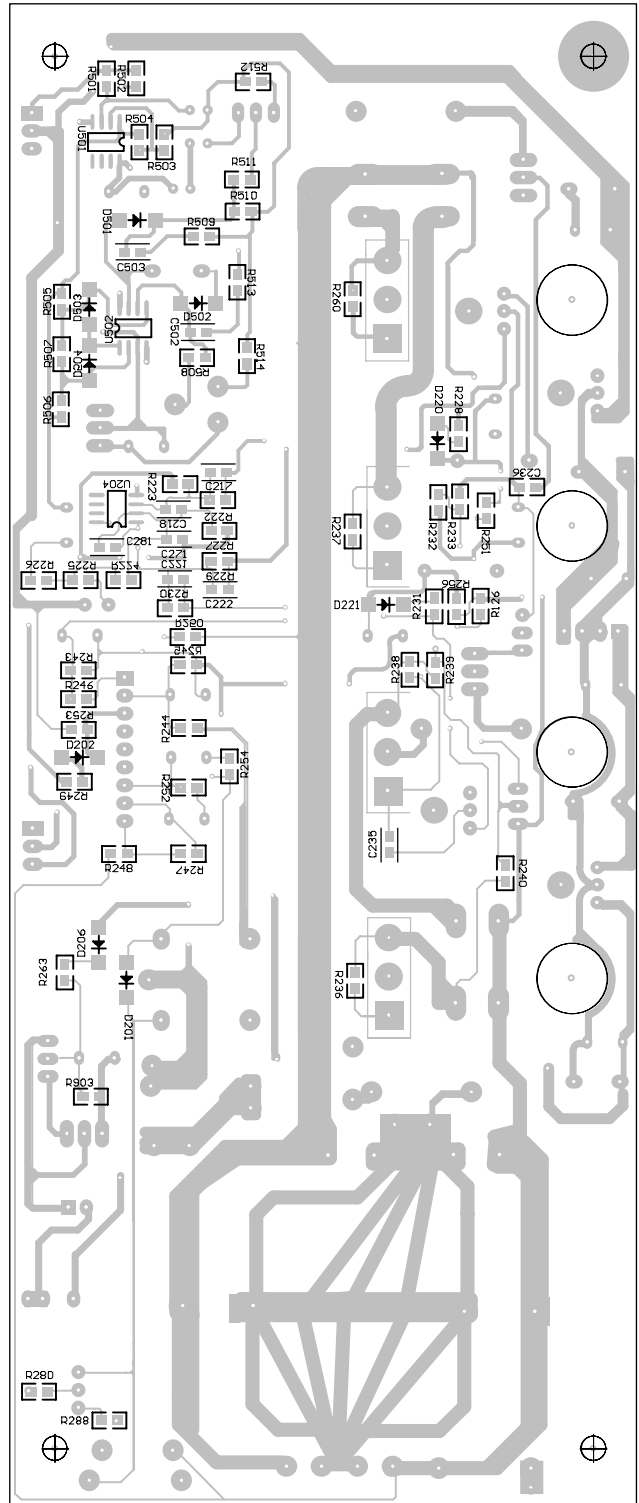




PCB LAYOUT



PowerAMP PCB  
top side

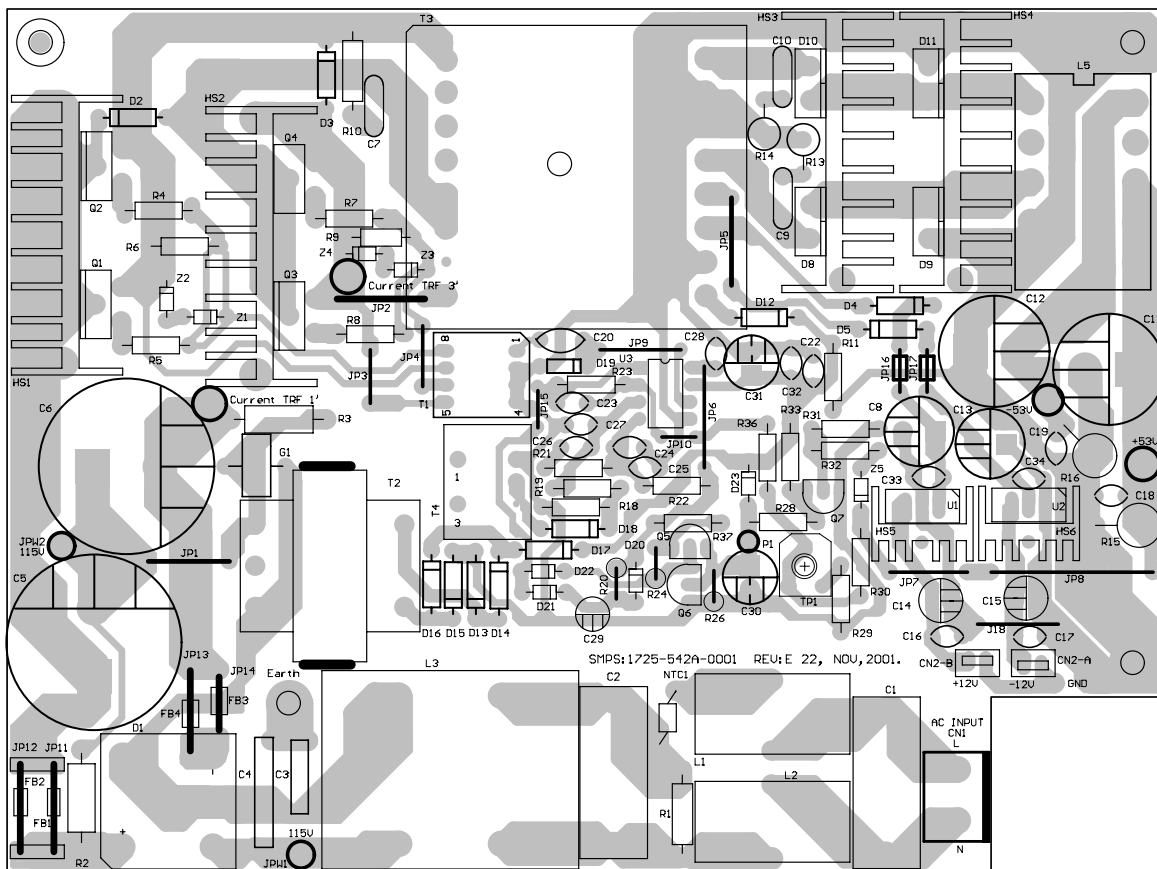


PowerAMP PCB  
bottom side

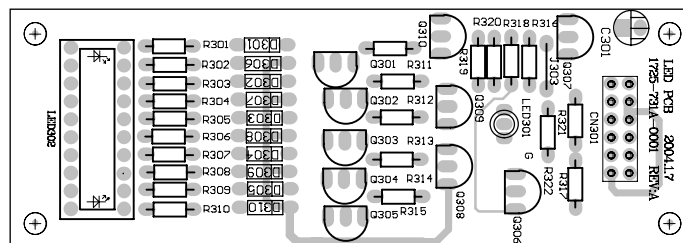


**POWERED SUBWOOFER**

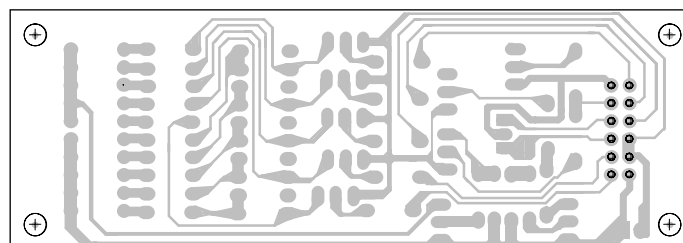
**PCB LAYOUT**



**SMPS PCB**

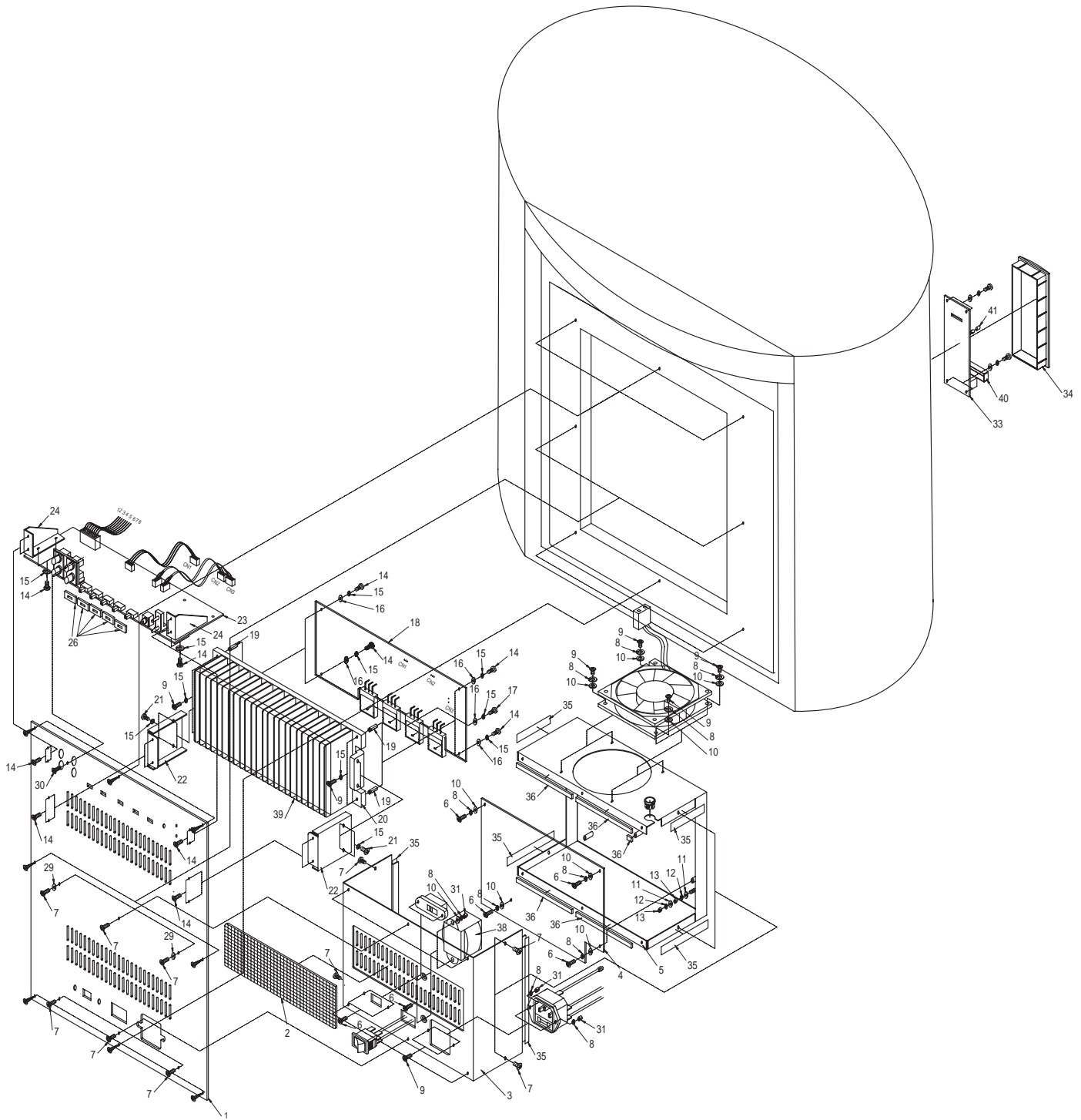


**LED PCB top side**



**LED PCB top side**

# EXPLODED VIEW DIAGRAMS



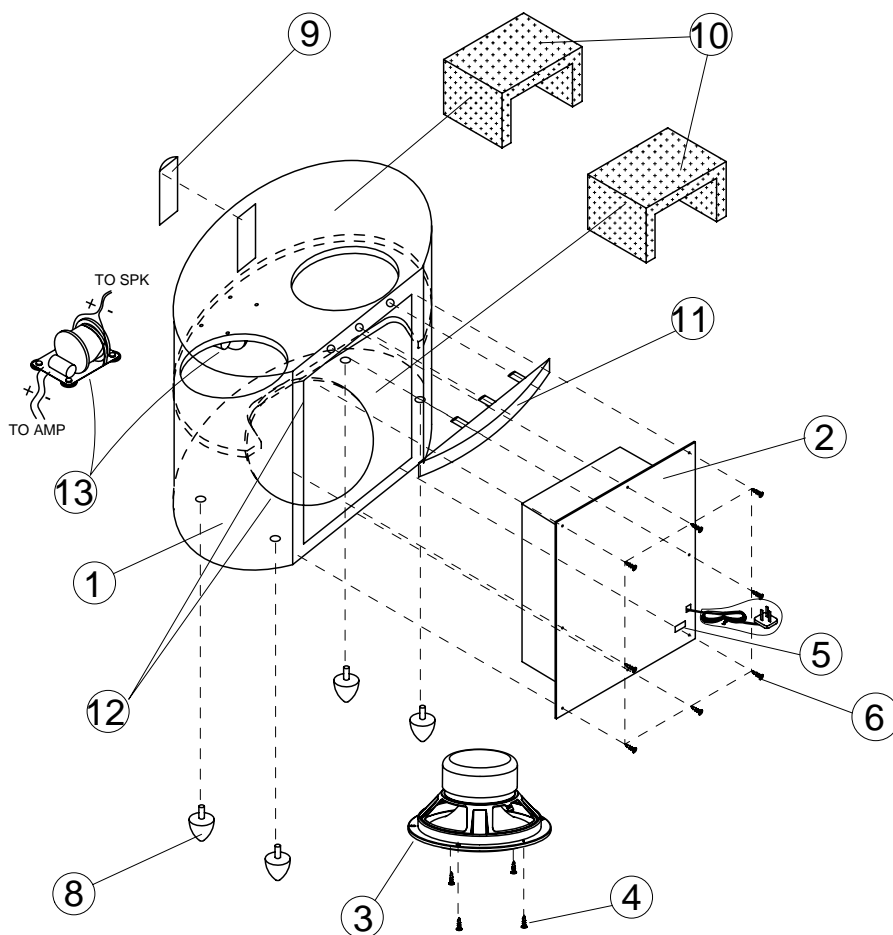
**POWERED SUBWOOFER**
**EXPLODED VIEW DIAGRAMS**

REF	DESCRIPTION	PARTS NO.	QTY
1	REAR PANEL	1405-3501-0	1
2	DUST FILTER NET	3100-5951-0	1
3	SWITCH TOP COVER	1403-6680-0	1
4	SMPS PCB	1725-542A-0000	1
5	SWITCH BOT COVER	1403-6690-0	1
6	SCREW PH M3*8 MM BZ CROSS	2900-3008-3000	8
7	S-TITE 3*8 (BLK)	2944-3008-3000	10
8	SPRING WASHER M3*0.9*5.5MM	2607-3009-0553	12
9	SCREW PH M3*10 MM BZ CROSS	2900-3010-3000	10
10	METAL WASHER M3*0.5*8MM BZ	2600-3005-0803	10
11	INT TOOTH WASHER M4*0.8*8.5	2606-4008-0853	2
12	SPRING WASHER M4*1*7MM NI	2607-4010-0704	2
13	NUT HEX M4	2640-4030-0704	2
14	SCREW M3*6 BINDING BLK	2904-3006-3000	16
15	SPRING WASHER M3*0.9*5.5MM	2607-3009-0550	20
16	METAL WASHER M3*0.5*8MM ZNC	2600-3005-0800	12
17	B-TITE 3*14MM(BLK.Zn)	2954-3014-3000	4
18	POWER AMP PCB	1725-730A-0001	1
19	BRASS TUBE L=9MM (2751-10-0)	4133-9580-0	4
20	HEATSINK	5400-3401-0	1
21	B-TITE 3*10MM (BLK.Zn)	2954-3010-3000	4
22	HEATSINK BRACKET	4135-0911-0	2

REF	DESCRIPTION	PARTS NO.	QTY
23	PRE AMP PCB	1725-730A-0001	1
24	PCB BRACKET	4135-0901-0	2
25			
26	SW COVER	4153-1250-0	1
27			
28			
29	INT TEETH WASHER M3*0.5*6.4	2606-3005-0643	2
30	T3*8MM SELF TAPPING	2954-3008-3000	1
31	M3 NUT NI	2640-3022-0544	4
32	WOOD BOX	1403-4440-0	1
33	LED PCB	1725-731A-0000	1
34	LENS	4154-2351-0	1
35	MASKING TAPE	9500-0460-0	6
36	EVA GASKET	4153-3331-0	5
37			
38	CHOKETRANSFORMER	1806-3556-0	1
39	HIGH TEMPERATURE TYPE	1635-0420-0	1
40	LED HOLD	3100-6051-0	1
41	SHRINKAGE TUBE ID=3.5MM	1660-0450-0	1
42	UL1007 AWG#20 BLACK	1681-1000-A	2
43			
44			

# EXPLODED VIEW DIAGRAMS

## Cabinet Exploded View



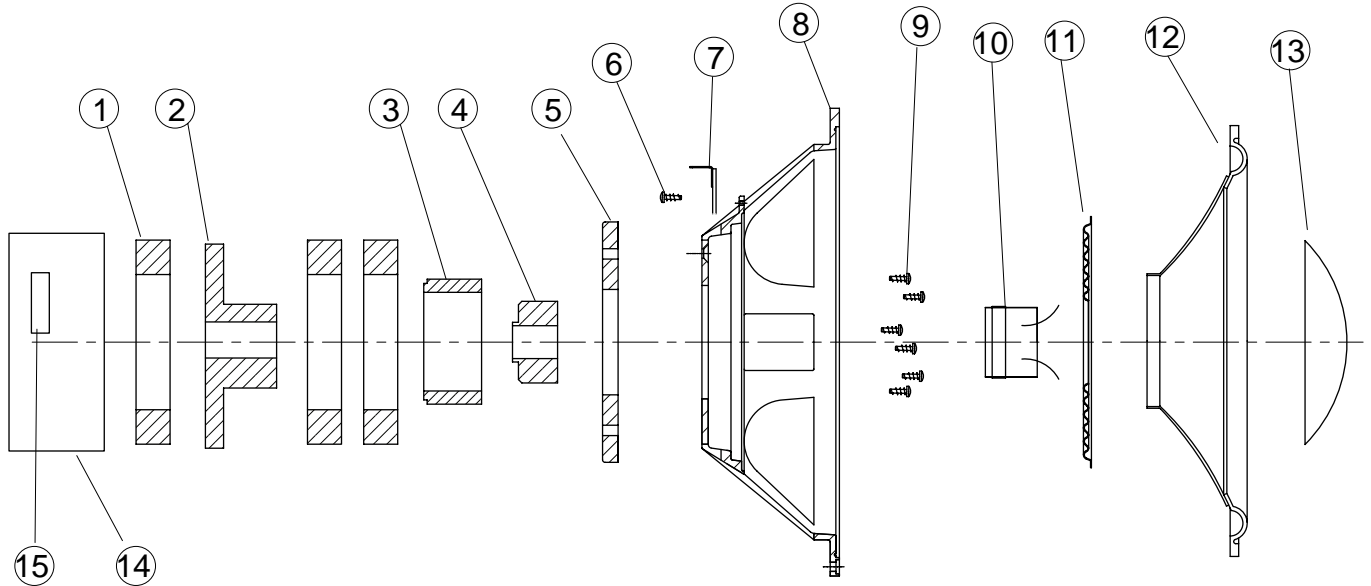
### FCCH0C/1C/2C/3C-EU/US/UK

REF	DESCRIPTION	PARTS NO.	QTY
1	CAB FOR PSW3500 BK	1419-0260-0	1.0
	CAB FOR PSW3500 DARK APPLE	1419-0261-0	
	CAB FOR PSW3500 MAPLE	1419-0262-0	
	CAB FOR PSW3500 SILVER	1419-0263-0	
2	ELE-AMP	AMP FCCH0C-EU	1.0
3	DRIVER FOR PSW3500	8900-6400-0	1.0
4	M4*20 NICKEL SCREW	2908-4020-4400	8.0
5	BARCODE S/N LABEL SP8387	3000-6333-0	1.0
6	SCREW BINDING HEAD M4*16	2913-4016-3000	8.0
8	RUBBER FOOT FOR PSW3500	4154-3221-0	4.0
9	LENS DISPLAY FOR PSW2500 BLACK	4154-2351-0	1.0
	K320291B M3*12MM PAN HEA	2910-3012-3000	4.0
	NUT HEX M4	2640-4030-0704	4.0
	PCB ASSY LED FCCH0C	PCB-FCCH0C-LED	1.0

REF	DESCRIPTION	PARTS NO.	QTY
10	ACOUSTIC FOAM A FOR PSW4000	4149-0221-0	3.0
	ACOUSTIC FOAM B FOR PSW4000	4149-0231-0	1.0
11	ABS MOULDING FOR PSW3500 BLACK	4154-3171-0	1.0
	ABS MOULDING FOR PSW3500 SILVER	4154-3172-0	
12	EVA GASKET 5*500	4153-3331-0	8.0
13	PCB FOR Q1/CODA CENTRE	1725-331A-0000	1.0
	IRON CORE 3.0MH 0.23OHM	1806-2710-0	1.0
	SCREW TRUSS HEAD M4*16	2913-4016-3000	4.0
	RUBBER SPACER ID5*OD20*4	4149-9411-0	4.0
	CABLE TIE 200mmX4.5mm	6360-1451-0	1.0
	#18AWG TWIN RED/BK #205 250MM	7012-1520-0	2.0
	CE 50V 150UF 5 % D16*34	8910-0329-0	1.0
METAL WASHER M5X0.8X10MM YZ	2600-5008-1000	4.0	

# EXPLODED VIEW DIAGRAMS

## Woofer Exploded View



REF	DESCRIPTION	PARTS NO.	QTY
1	MAGNET 145*75*17 (C)	4104-4871-1	3.0
2	CP 135*49.7*44*11	3300-3501-0	1.0
3	SHORTING RING	4159-0810-0	1.0
4	POLE TIP 48.7*36	4159-0780-0	1.0
5	WH 145*54.4*8.6M5 105.3	3300-6770-0	1.0
6	S/T SCREW 03X6(YEL)	2940-3006-0000	2.0
7	TERMINAL 0.5*205	4124-0070-0	2.0
8	CHASSIS FOR PSW3500 SUB	3300-9690-0	1.0
9	SCREW M5*9	2901-5009-0000	6.0
10	VC50 9ASV3.5*0.2*0.92*64	3800-5530-0	1.0
11	DPR 175*50.8*4.0 D0.7	8700-1960-0	1.0
12	SURROUND/CONE FOR PSW3500 SUB	4200-9020-0	1.0
13	DCAP D117*21.5 PP COATED	4200-5160-0	1.0
14	BACK CAN 166*160*65*2	3300-0461-0	1.0
15	LABEL FOR 8900-6400-0	3000-7692-0	1.0

# EXPLODED VIEW DIAGRAMS

## Packing Exploded View

FCCH0C-EU/US/UK

REF	DESCRIPTION	PARTS NO.	QTY	
1	INSTALLATION MANUAL FOR	4301-5280-0	1.0	
	W.CARD FOR KEF (1 YEAR)	4301-6037-1	1.0	
	P.BAG 10*14' W/ES GREEN	1497-4122-0	1.0	
	MANUAL FOR CI SERIES	4301-5242-0	1.0	
	IR REMOTE CONTROL	8912-0047-0	1.0	
	IR EXTENSION MODULE	8912-0048-0	1.0	
	POLYFOAM BAG 80X220	1497-0782-0	1.0	
2	P.BAG 10*12' W/ES GREEN	1497-4102-0	1.0	
3	CARTON BOX FOR PSW3500	145B-1650-0	1.0	
4	BARCODE S/N LABEL	3000-6333-0	1.0	
5	1	UPC LABEL FOR PSW3500	3000-7780-0	1.0
		UPC LABEL FOR PSW3500	3000-7781-0	1.0
		UPC LABEL FOR PSW3500	3000-7782-0	1.0
	2	UPC LABEL FOR PSW3500	3000-7789-0	1.0
		UPC LABEL FOR PSW3500	3000-7790-0	1.0
		UPC LABEL FOR PSW3500	3000-7791-0	1.0
	3	UPC LABEL FOR PSW3500	3000-7786-0	1.0
		UPC LABEL FOR PSW3500	3000-7787-0	1.0
		UPC LABEL FOR PSW3500	3000-7788-0	1.0
	4	UPC LABEL FOR PSW3500	3000-7783-0	1.0
		UPC LABEL FOR PSW3500	3000-7784-0	1.0
		UPC LABEL FOR PSW3500	3000-7785-0	1.0
6	CABINET FOR PSW3500 BK	1419-0260-0	1.0	
	CABINET FOR PSW3500 DARK	1419-0261-0	1.0	
	CABINET FOR PSW3500	1419-0262-0	1.0	
	CABINET FOR PSW3500	1419-0263-0	1.0	
7	PE BAG 840X700X0.05	1497-7202-0	1.0	
8	PE FOAM FOR PSW3500	1490-8513-0	4.0	
9	SHEET RGK-3274-2P-7	1450-6910-0	1.0	

