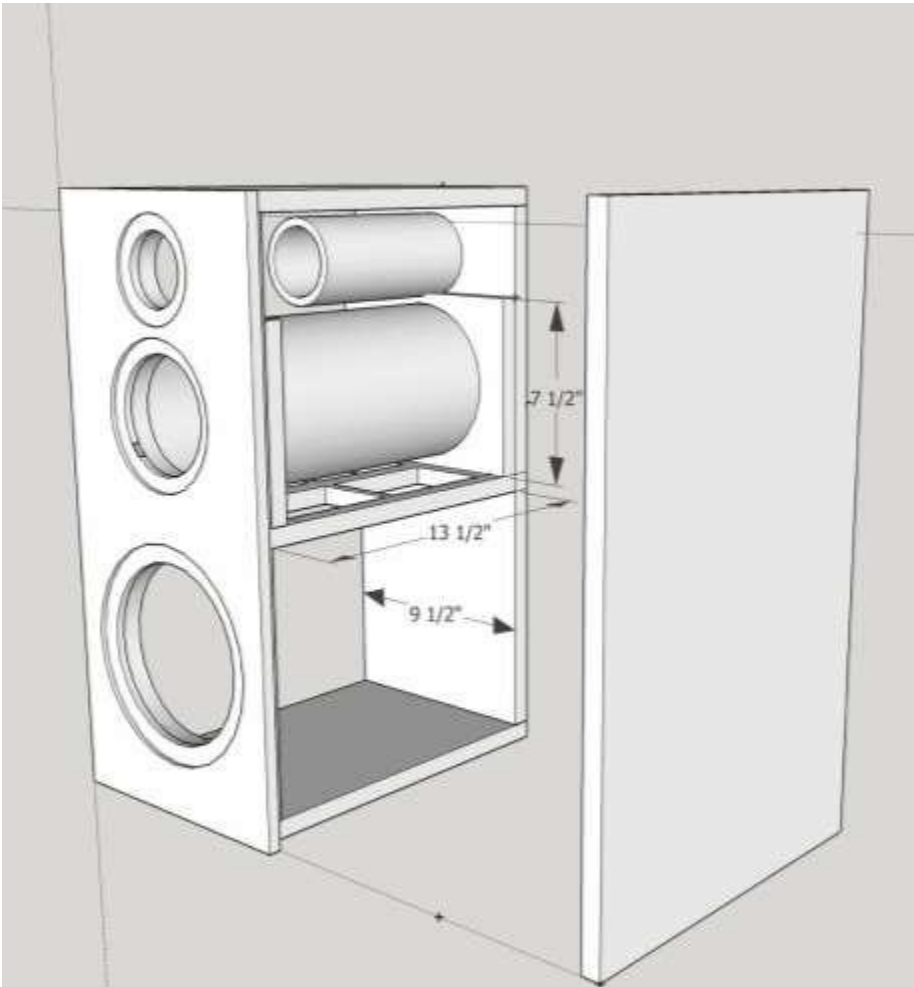


Travelers Speakers Cabinet Drawing by Kevin Merher

Original design by Jim Holtz and Curt Campell

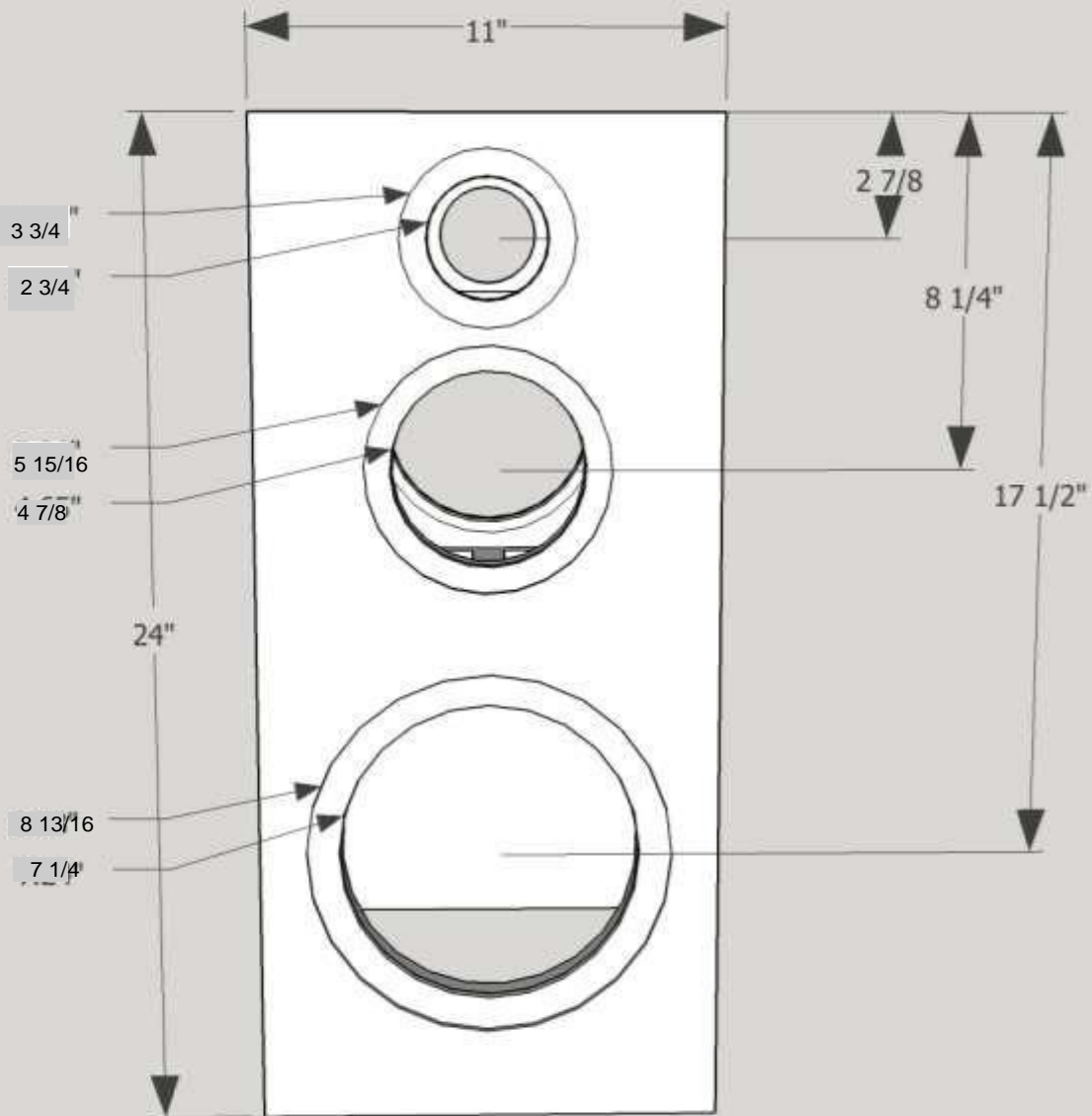
Side Baffle View



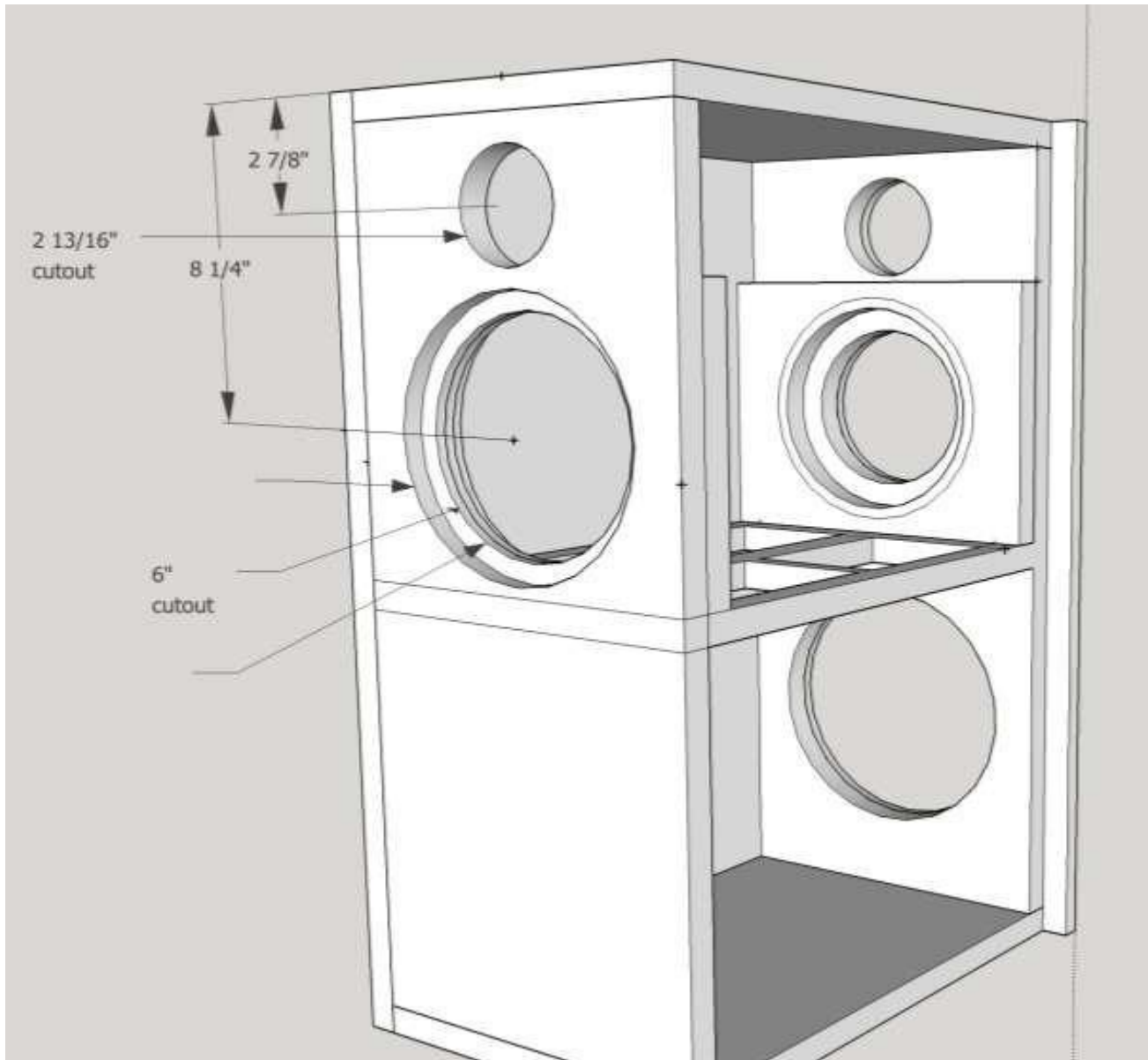
Key notes:

1. The front baffle consists of a 3/4in (9.5 w x 22.5 h) sheet and 1/2 in (11 w x 24 h) sheet laminated together. The 1/2 in piece is the outer baffle.
2. The 3/4in sides are 15w x 24 h inches.
3. The 3/4in top/bottom are 9.5 w x 15 d inches.
4. The 3/4in window brace is 9.5 w x 13.5 d inches.
5. Port size is 2.5inches in diameter and 7 3/4in in length.
6. The PVC Pipe for the mid-tunnel is 6" inner diameter by 13 1/2" length (6 5/8" OD).

Front Baffle View



Rear Baffle View



Key notes:

1. The 6 5/8" OD PVC pipe is cut to 13 1/2" in length to allow it to butt against the inner front and rear baffles and be glued in place.
2. Ignore the 7" (1/2") recess cutout. It was originally intended for an option on the Finalist cabinet to plug the mid but no closed back mid crossover was designed for the Travelers so don't cut the recess.
3. Holes in window brace are flexible – please just leave 2inches on the front/back/sides for rigidity
4. Port size is 2.5inches in diameter and 7 3/4in in length

Travelers

The cutouts should be as follows:

OW2

Recess diameter; $3 \frac{3}{4}$ "

Recess depth; $\frac{1}{8}$ " (measure for accuracy)

Cutout; $2 \frac{3}{4}$ "

SB15CAC30-8

Recess diameter; $5 \frac{15}{16}$ "

Recess depth; $\frac{1}{4}$ "

Cutout; $4 \frac{7}{8}$ "

RS225

Recess diameter; $8 \frac{7}{8}$ "

Recess depth; $\frac{7}{32}$ "

Cutout; $7 \frac{5}{16}$ "

:Note that these are slightly oversize to allow for cabinet finish etc. Please measure your drivers for the actual size you want to cut. The dimensions listed are the way I'd do it.

Cut List;

Side panel	24"x15"	4
Top & Bottom panel	15"x9 1/2"	4
Front Inner & Rear panel	22 1/2"x9 1/2"	4
PVC support panels	7 1/2"x9 1/2"	4
Window pane braces	13 1/2"x9 1/2"	2
Outer Front Baffle	24"x11"	2