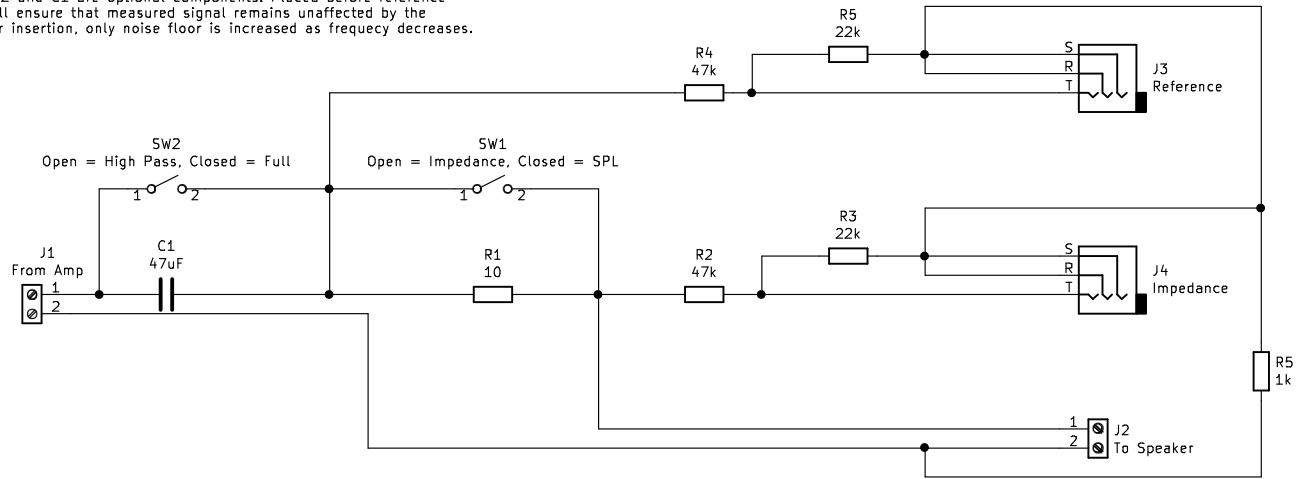


Note: SW2 and C1 are optional components. Placed before reference probe will ensure that measured signal remains unaffected by the capacitor insertion, only noise floor is increased as frequency decreases.



Sheet: /			
File: Magic Box of Wonders.sch			
Title: Reid's Magic box of Wonders			
Size: A4	Date: 2021-08-03	Rev: 1	
KiCad E.D.A. kicad 5.1.10		Id: 1/1	